

ORD11424

RECEIVED

October 1, 2021

Municipal Boundary Review
Wisconsin Dept. of Admin.

September 30, 2021

Emailed 09/30/2021 – erich.schmidtke@wisconsin.gov

Erich Schmidtke
Municipal Boundary Review
Wisconsin Department of Administration
P. O. Box 1645
Madison WI 53701

Re: Ordinance 22-21 by the Mayor for an Attachment and Zoning District Classification Ordinance (under Section 66.0307, Wisconsin Statutes, City of Kenosha, Town of Somers, State Approved Cooperative Plan) 10407 38th Street (Parcel no. 80-4-222-304-0110) Town of Somers (Jeffery J. Gross).

The City of Kenosha Common Council on June 7, 2021, adopted Ordinance 22-21.

Attached for your files is a copy of the said ordinance, including legal description of the territory and map. Also included is the Certificate of Attachment and Certificate of Population relative to the above attachment.

Thank you.

Sincerely,

CITY OF KENOSHA

Karen J. Argust
Deputy City Clerk

Enclosures

ATTACHMENT ORDINANCE

Document No. Document Title

Document #: **1905133**
Date: **2021-07-20** Time: **3:39 PM** Pages: **6**
Fee: **\$30.00** County: **KENOSHA** State: **WI**
REGISTER OF DEEDS: **JOELLYN M. STORZ**

REGISTER OF DEEDS

1010 56th Street
Kenosha WI 53140

Re: Ordinance 22-21 by the Mayor for an Attachment and Zoning District Classification Ordinance (under Section 66.0307, Wisconsin Statutes, City of Kenosha, Town of Somers, State Approved Cooperative Plan) 10407 38th Street (Parcel no. 80-4-222-304-0110) Town of Somers (Jeffery J. Gross).

Recording Area

Return this document to:

Office of the City Attorney
City of Kenosha
625 52nd Street, Room 201
Kenosha WI 53140

80-4-222-304-0110

Parcel Identification Numbers

I, Karen J. Argust, Deputy City Clerk of the City of Kenosha, Wisconsin do hereby certify that on the 7th June, 2021, the Common Council of the City of Kenosha, Wisconsin by Ordinance duly adopted Ordinance Number 22-21, which did attach to the City of Kenosha, Wisconsin territory in the Town of Somers, Kenosha County, Wisconsin.

I further certify that attached thereto and made a part hereof is a true and correct copy of the legal description and plat of the territory so attached.

Dated this 20th day of July, 2021.

Karen J. Argust

Karen J. Argust, Deputy City Clerk

SEAL



ATTACHMENT AND ZONING DISTRICT CLASSIFICATION ORDINANCE
Under Section 66.0307, Wisconsin Statutes,
City of Kenosha/Town of Somers
State Approved Cooperative Plan

Parcel No(s): 80-4-222-304-0110
Located at: 10407 38th Street, Town of
Somers [Jeffery J. Gross, Owners]

ORDINANCE NO. 22-21

BY: THE MAYOR

Attaching to the City of Kenosha, Wisconsin, territory in the Town of Somers, Kenosha County, Wisconsin, and providing zoning district classifications under Section 66.0307, Wisconsin Statutes, City of Kenosha/Town of Somers State Approved Cooperative Plan:

The Common Council of the City of Kenosha, Wisconsin, does ordain as follows:

Section One: Territory Attached. In accordance with City of Kenosha/Town of Somers Cooperative Plan under Section 66.0307 of the Wisconsin Statutes, approved by the Wisconsin Department of Administration, Intergovernmental Relations, Municipal Boundary Review, on August 8, 2005, and the First Amendment to the City of Kenosha/Town of Somers Cooperative Plan under Section 66.0307 of the Wisconsin Statutes, approved by the Wisconsin Department of Administration, Intergovernmental Relations, Municipal Boundary Review, on September 15, 2015, the territory consisting of the above referenced parcel numbers in the Town of Somers, Kenosha County, Wisconsin, with an associated population of one (1), legally described and shown on attached Exhibit "A", is hereby attached to the City of Kenosha, Wisconsin, as hereinafter provided.

Section Two: Effect of Attachment. From and after the effective date of this Ordinance, the territory described in Section One shall be a part of the City of Kenosha for any and all purposes provided by law, and all persons coming or residing within such territory shall be subject to all Ordinances, rules and regulations governing the City of Kenosha.

Section Three: Zoning District Classifications. The territory described in Section One, upon attachment, shall have the zoning district classification shown on Exhibit "B". This zoning district

classification shall be and remain in effect for the parcels of land described therein until this Zoning District Classification Ordinance is amended as prescribed in Section 62.23(7)(d), Wisconsin Statutes.

Section Four: Connection To City Utilities. The territory described in Section One shall, by submission of the Attachment Petition, require connection of existing and any future habitable buildings to municipal water and sewer, within the time limits established by Chapter 32 of the Code of General Ordinances for the City of Kenosha, Wisconsin.

Section Five: Severability. If any provision of this Ordinance is invalid or unconstitutional, or if the application of this Ordinance to any person or circumstances is invalid or unconstitutional, such invalidity or unconstitutionality shall not affect the other provisions or application of this Ordinance which can be given effect without the invalid or unconstitutional provision or application.

Section Six: Effective Date. This Ordinance, the Attachment, and the Zoning District Classification shall take effect after passage and publication as provided by law.

ATTEST:  City Clerk/Treasurer
MATT KRAUTER

APPROVED:  Mayor
JOHN M. ANTARAMIAN

Date: 06/11/2021

Passed: June 7, 2021

Published: June 11, 2021

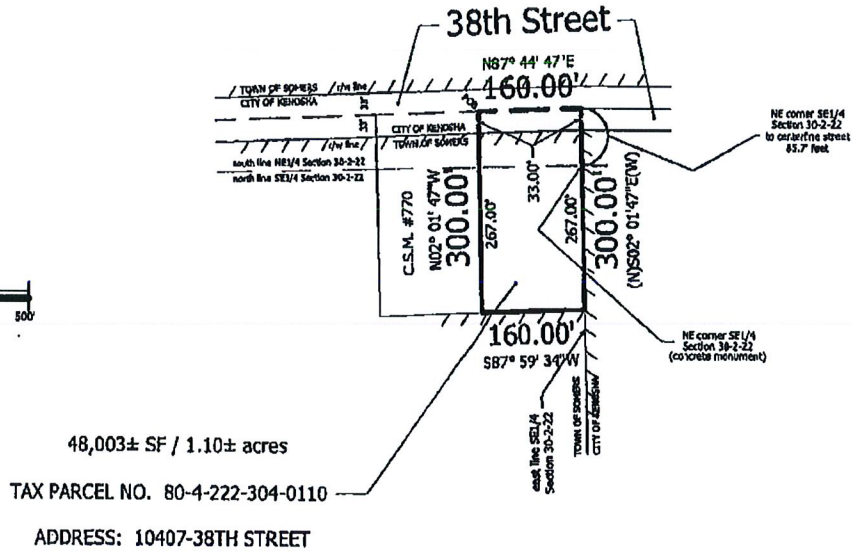
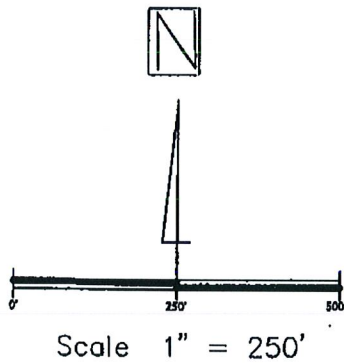
Drafted By:
MATTHEW A. KNIGHT
Deputy City Attorney

DISTRICT MAP

ATTACHMENT ORDINANCE

SUPPLEMENT NO. _____ ACCOMPANYING ORDINANCE NO. 22-21

GROSS



Part of the Northeast and Southeast Quarters of Section 30; Town 2 North, Range 22 East of the Fourth Principal Meridian, lying and being in the Town of Somers, Kenosha County, Wisconsin and being more particularly described as follows:

Beginning at the northeast corner of CERTIFIED SURVEY MAP NO. 770, a plat of record and on file at the Kenosha County Register of Deeds Office on April 10, 1980, in Volume 1070 Pages 854-856 and per Document Number 665666; which corner is also in the centerline of 38th Street; thence N87°44'47"E along and upon said centerline, 160.00 feet and to a point that is N02°01'47"W 85.70 feet from the northeast corner of the aforesaid Southeast Quarter Section; thence S02°01'47"E along and upon the east line of said Quarter Section, 300.00 feet; thence S87°59'34"W 160.00 feet and to the southeast corner of the aforesaid CERTIFIED SURVEY MAP; thence N02°01'47"E along and upon the east line of said CERTIFIED SURVEY MAP, 300.00 feet and to the point of beginning. Containing 1.10 acres, more or less. Subject to a public Street over and across the most northerly 33.00 feet thereof.

DENOTES PRESENT CITY OF KENOSHA



CORPORATE LIMITS

DENOTES AREA TO BE ATTACHED TO THE CITY OF KENOSHA

Bearings: The east line of the Southeast Quarter of Section 30-2-22 is assumed to bear S02°01'47"E.

City of Kenosha
Zoning District Classification Map
Exhibit "B"

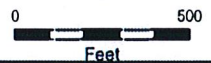
Supplement No. AT2-21
Ordinance No. 22-21

Gross petition



Property to be Zoned:

 A-2 Agricultural Land Holding



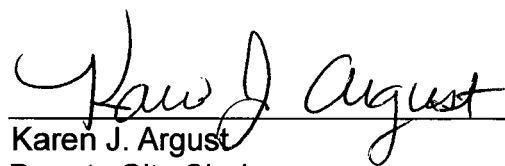
Re: Ordinance 22-21 by the Mayor for an Attachment and Zoning District Classification Ordinance (under Section 66.0307, Wisconsin Statutes, City of Kenosha, Town of Somers, State Approved Cooperative Plan) 10407 38th Street (Parcel no. 80-4-222-304-0110) Town of Somers (Jeffery J. Gross).

CERTIFICATE OF ATTACHMENT, SECTION 66.0217
WISCONSIN STATUTES

I, Karen J. Argust, Deputy City Clerk of the City of Kenosha, Wisconsin do hereby certify that on the 7th day of June, 2021 the Kenosha Common Council by Ordinance duly adopted, and did attach to the City of Kenosha, territory in the Town of Somers, KENOSHA COUNTY, WISCONSIN.

I further certify that attached thereto and made a part hereof is a true and correct copy of the legal description and plat of the territory so attached.

Dated this 30th day of September, 2021.



Karen J. Argust
Deputy City Clerk

SEAL



Re: Ordinance 22-21 by the Mayor for an Attachment and Zoning District Classification Ordinance (under Section 66.0307, Wisconsin Statutes, City of Kenosha, Town of Somers, State Approved Cooperative Plan) 10407 38th Street (Parcel no. 80-4-222-304-0110) Town of Somers (Jeffery J. Gross).

CERTIFICATE OF POPULATION

I, Karen J. Argust, Deputy City Clerk of the City of Kenosha, County of Kenosha, State of Wisconsin, do hereby certify that the population of the area so attached to the City of Kenosha with the passage of Kenosha Ordinance 22-21 is 1.

Dated this 30th day of September, 2021.



Karen J. Argust
Deputy City Clerk

SEAL

